

## Rectifier & Power factor Correction Modules

\* **RoHS**



- ◆ Suitable for use in Custom Power Supplies
- ◆ Provides high voltage DC to Lambda's PH and PAF Power Modules
- ◆ Parallel operation on PF Series
- ◆ 0.5" profile

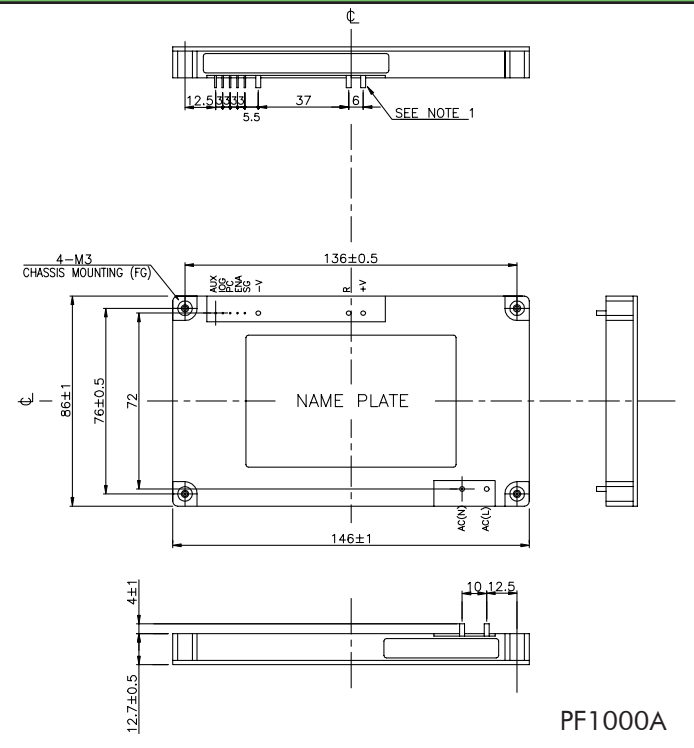
Features & Benefits	
Feature	Benefit
◆ Low profile	◆ Assists system integration
◆ Parallel operation	◆ For higher power or N+1 operation
◆ Power Factor Corrected (PF)	◆ Supports Global Use
◆ Operation up to 85°C	◆ Operates in harsh environments

Specifications				
Items		PR500-280	PF500A-360	PF1000A-360
AC Input Voltage range & Frequency	VAC	85-132/170-265 selectable	85-265 wide range	
Input Frequency	-	47 - 440Hz	47 - 63Hz	
Output Voltage	VDC	230 - 370	360	
Output Power at 100/200VAC	W	500/750W	504/756W	1008/1512W
Load Regulation	-	Unregulated	10V	
Line Regulation	-	Unregulated	5V typical	
Inrush Current	A	External pins provided connection for in rush resistor		
Efficiency (typ) at full load	%	95% (200VAC)	90% (100VAC), 95% (200VAC)	
Power Factor	-	-	Meets EN61000-3-2 (0.95 typical)	
Overcurrent Protection	-	-	Converter shutdown	
Overvoltage Protection	V	-	390 - 400VDC, manual reset	
Thermal Shutdown	-	-	Shuts down Inverter, manual reset	
AC Fail Signal	-	Yes	-	
Inverter Good Signal	-	-	Yes, when inverter is operating correctly	
Enable Signal	-	Signal provided to enable "PH" DC-DC converters		
Parallel Connection	-	-	Single wire current share	
Auxiliary Output Voltage	-	-	Yes - see installation manual	
Operating Baseplate Temperature	°C	-20 to +85°C (no derating)		
Storage Temperature	°C	-40 to +85		
Cooling	-	Conduction (see installation manuals for heatsinks)		
Withstand Voltage	-	Input - Ground 3kVAC for 1 min		
Safety Agency Approvals	-	UL60950-1, CSA22.2 No.60950-1, EN60950-1, & CE Mark		
Weight	g	140	130	200
Size (WxHxD)	mm	See output line drawings		
Warranty	-	Two Years		

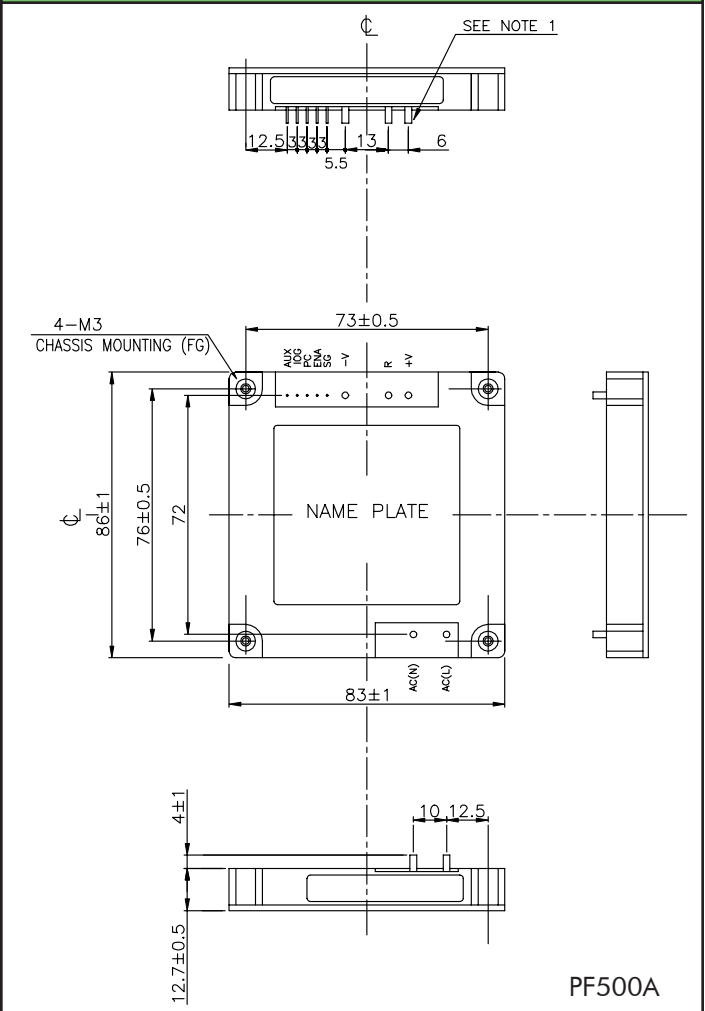
Notes: (Consult Installation Manual for detailed specifications, test methods and application notes)  
 \* PF Modules only. Doesn't include PR500

# PR & PF Series

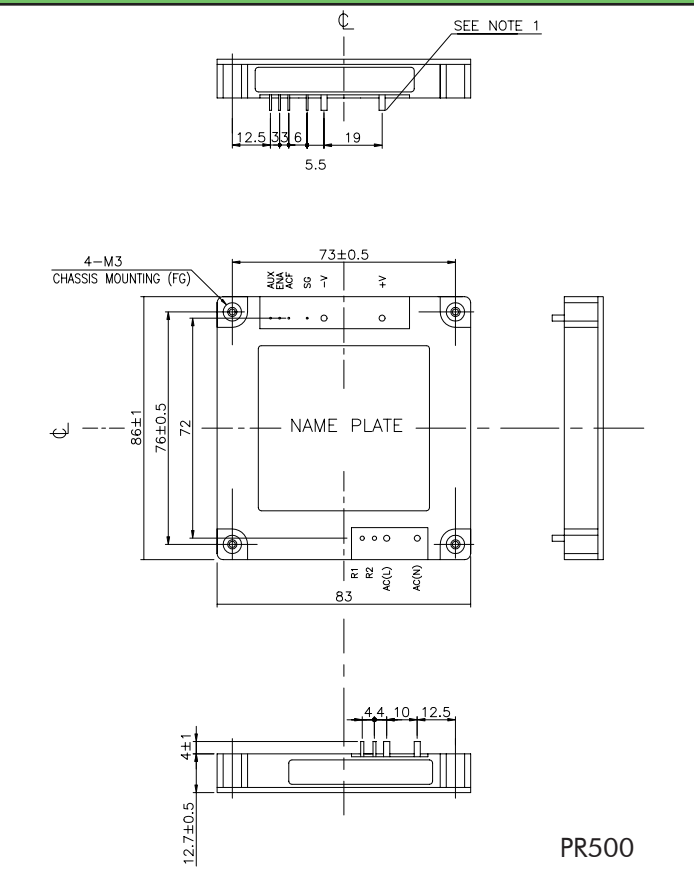
## Outline Drawing



## Outline Drawing



## Outline Drawing



## Other Lambda Industrial Products

PFE	400 to 700W Full brick AC-DC power module
PH F	50 to 300W Full function power modules
PH S	50 to 600W Simple function power modules
PAF	400 to 600W Full brick power module

For Additional Information, please visit  
[us.tdk-lambda.com/lp/products/pf-series.htm](http://us.tdk-lambda.com/lp/products/pf-series.htm)